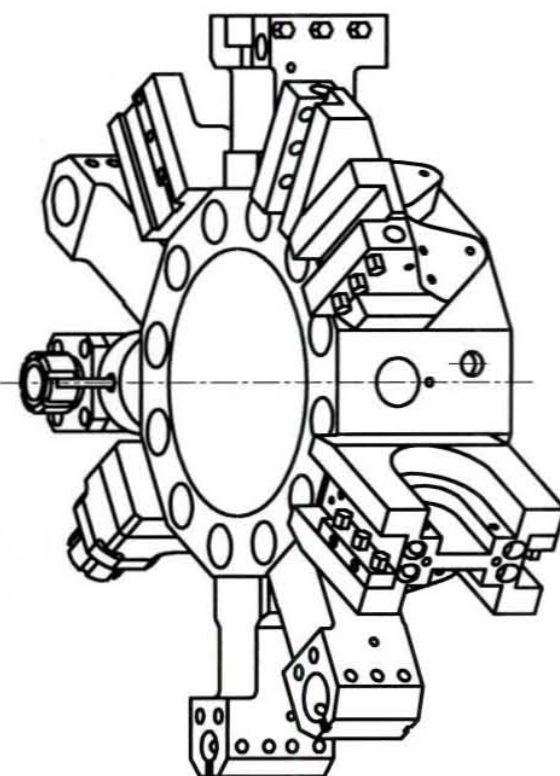
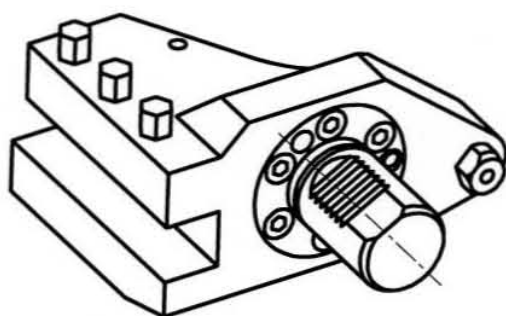
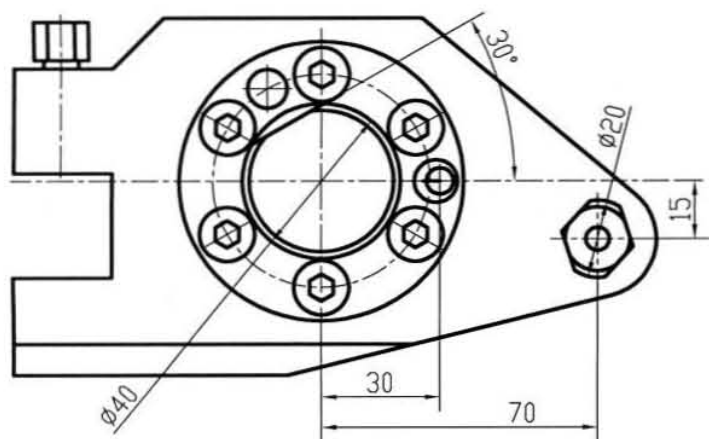


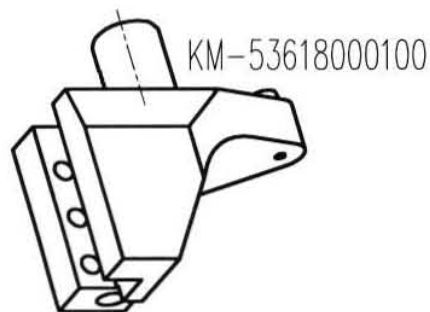
COMPONENTI INNOVATIVI TECNOMECCANICI **KINTEK**

MAZAK

- | | | | |
|------------|-------------------|-------------------|---------------|
| SQT | SQT 15 , SQT 18 | M / MS | - 12 Stations |
| | SQT 200 , SQT 250 | M / MS | - 12 Stations |
| QTN | QTN 200 , QTN 250 | M / MS / MY / MSY | - 12 Stations |



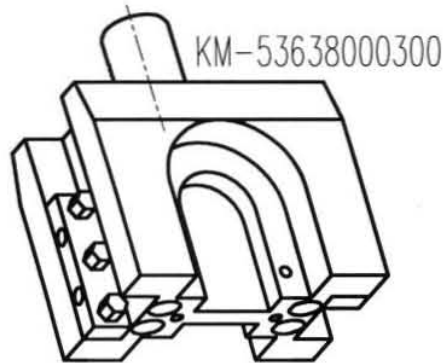
ACCESSORIES



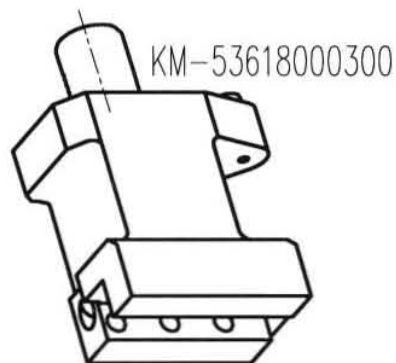
KM-53618000100



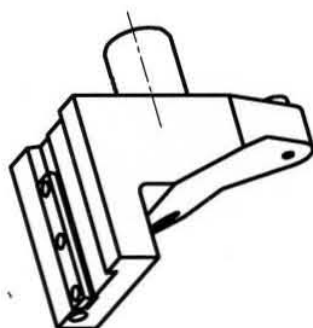
KM-53618000600



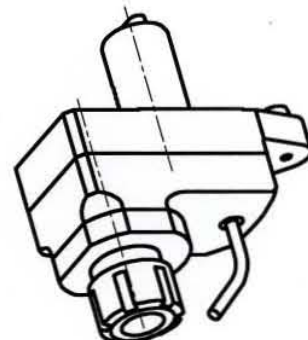
KM-53638000300



KM-53618000300



KM-53618000400

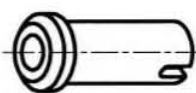


KM-190.15685.000

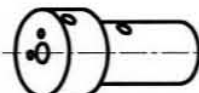


KM-190.15671.000

- Drill socket
 114-34015 <MT1>
 114-34016 <MT2>
 114-34017 <MT3>



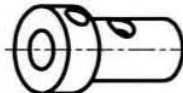
- Boring bar sleeve
 165-64114 (ø8 mm)
 165-64115 (ø10 mm)
 165-64116 (ø12 mm)
 165-64117 (ø16 mm)
 165-64118 (ø20 mm)



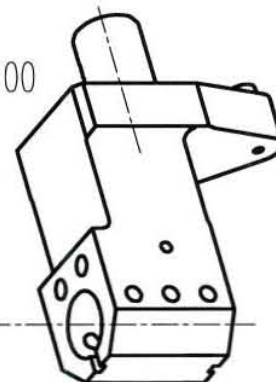
- Boring bar sleeve
 165-64119 (ø25 mm)
 165-64120 (ø32 mm)



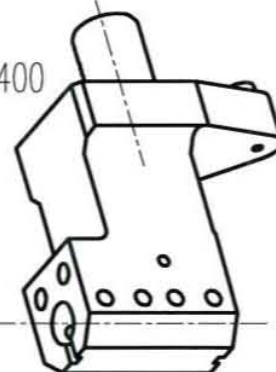
- Throw-away drill socket
 165-64121 (ø20 mm)
 165-64122 (ø25 mm)
 165-64123 (ø32 mm)



KM-53208005100



KM-53638000400



KM-53208005200

